



## CASE STUDY

### IGLU FOR HOSPITAL CARE: ROYAL BRISBANE AND WOMEN'S HOSPITAL

The Royal Brisbane and Women's hospital located on the East Coast in Australia provide state-of-the-art health care services for more than one tenth of all patient services in Queensland. Health and hygiene requirements are of the highest standards across the entire facility and more so where food is prepared onsite before being served to patients.

<https://www.health.qld.gov.au/rbwh>

Iglu Australia Ltd  
[www.iglucoldsystems.com.au](http://www.iglucoldsystems.com.au)

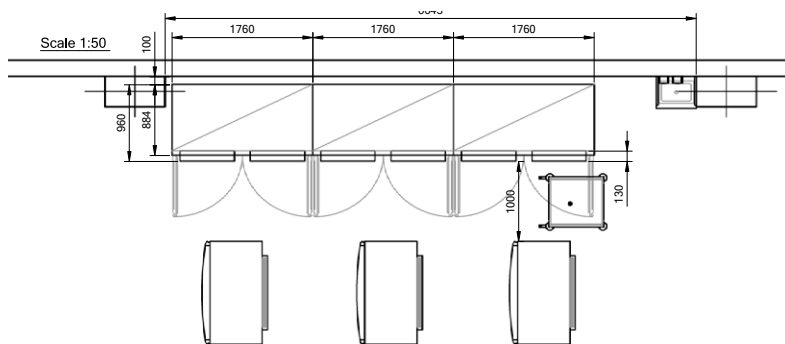
Fire & Ice Food Equipment  
[www.fire-ice.com.au](http://www.fire-ice.com.au)

# THE CHALLENGE

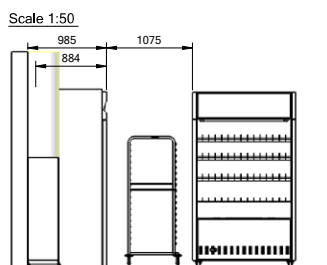
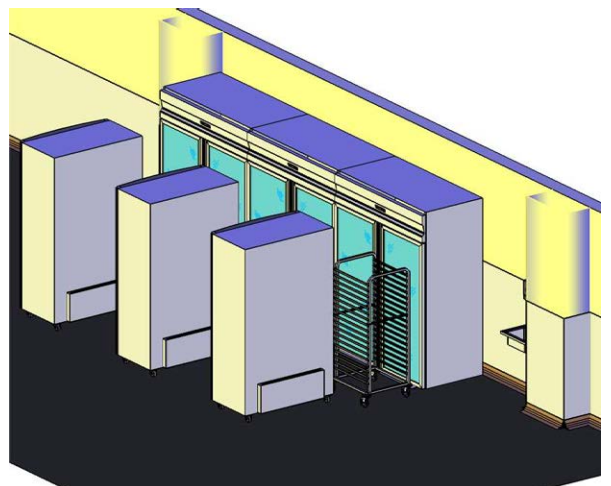
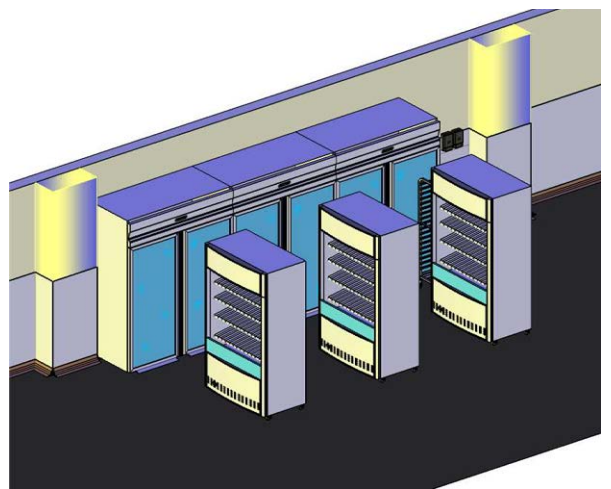
## The brief

This first-class institution required **reliable and capable refrigerators** to preserve food ready for the plate up line for the meal delivery service, therefore the brief required units with an exceptionally large capacity to fit mobile trolleys.

## The solution



Elevation A-A Scale 1:50



**Roll-in cabinets** by Iglu are perfect for canteens, hotels, institutions and food production facilities: available in a single or double compartment with an optional pass-through version also available.

Options include a double or triple glazed fully tempered glass door/s (insulated stainless steel panel doors are standard), insulated interior floor base, password protected electronic door lock.

CASE STUDY - Royal Brisbane And Women's Hospital, Australia



All Iglu Roll-in's and Pass-through cabinets feature:

- intelligent defrosting system
- self-diagnostic test
- data mining
- door open alarms
- Hi-temp alarms
- blackout alarms and much more...

Iglu pass-through & roll-in cabinets are HACCP Certified.

As an entrusted Italian manufacturer with an office located in Sydney Australia, Iglu are able to guarantee a seamless and ongoing service, controlled installation and prompt backup.

Iglu is also the first company in Australian history to supply HACCP CERTIFIED Roll-in & Pass-through Cabinets and Certified Blast Chillers.



The Roll-in cabinets were purchased by the Queensland Health Department through Fire & Ice Food Equipment who also installed the cabinets.



Iglu is now proud to be a trusted supplier as far away as Australia of back of house equipment to the Queensland Health Department.